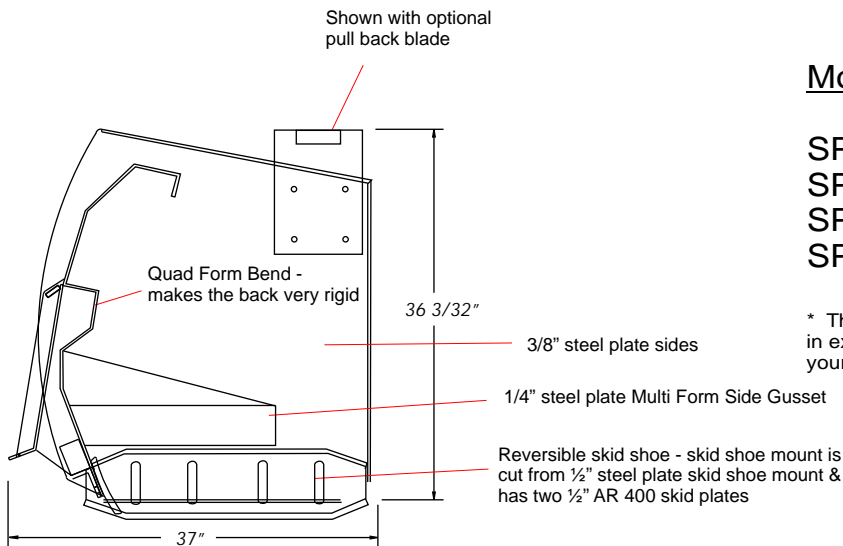




# SNOW PUSH



## SIDE VIEW



### FEATURES:

- Built for skid steers
- Ideal for fast and effective high volume snow handling
- Laser cut viewing slots in back of blade increase operator visibility and reduce risk of property damage
- Quad Formed Back - dramatically increases the rigidity of the snow push
- Adjustable and replaceable AR400 steel skid shoes and mount plates
- 3/16" back wrapper and 3/8" plate side plate
- Optional pull back edge for access to hard to reach places
- 1/4" steel plate corner gussets for additional side plate support
- 5/8" x 6" carbon steel beveled bolt on cutting edge has two sets of mounting holes to increase blade wear
- Debris shields protect skid shoe bolts from icing and becoming covered with debris
- Durable black paint finish

### SPECIFICATIONS:

Model #	Blade Width	Blade Height	Approx. Weight
SP 84	84"	36"	1020 lbs
SP 96	96"	36"	1070 lbs.
SP 108	108"	36"	1200 lbs.
SP 120	120"	36"	1250 lbs.

\* The above numbers reflect the capacity of the attachment, and may be in excess of the lift capacity of some skid steers and loaders. Please see your owners manual for specific lift capacities.



This product features our Grid Lock manufacturing technique that allows for increased strength with less overall weight.



All products are subject to change without notice or liability.

**Toll Free: 1-877-947-2882**  
**www.conterraindustries.com**

Box 59, Rockyford, Alberta Canada T0J 2R0  
 Ph: (403) 947-2882 Fax: (403) 947-2892

**B5**