



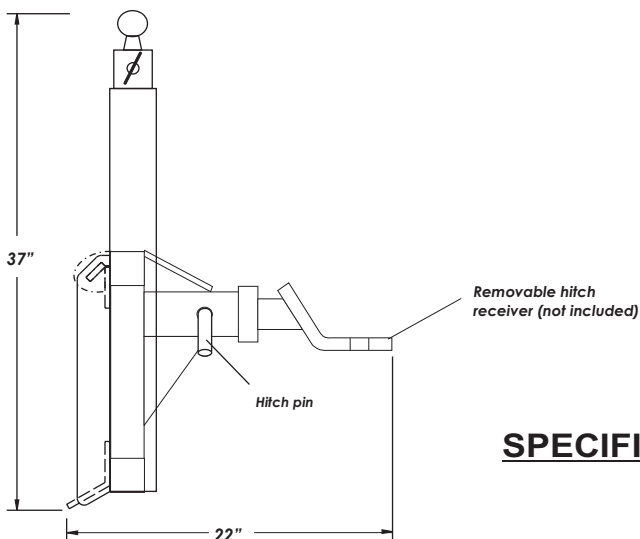
UNIVERSAL TRAILER HITCH ADAPTER



SIDE VIEW

FEATURES:

- Enables your skid steer to pick up an array of gooseneck with 2 5/16" ball or king pin or bumper hitch trailer with a standard receiver or a and pintle hitch trailer for easy shunting
- Universal mount plate allows for easy connection to most late model skid steers
- Removable hitch pin allow operator to change hitch receiver quickly and easily
- Low receiver position allows for excellent visibility and easy cab access
- Hitch receiver allows for 1" shank trailer hitch ball (trailer hitch ball not included)
- Heavy duty construction
- Durable black paint finish



This product features our Grid Lock manufacturing technique that allows for increased strength with less overall weight.

SPECIFICATIONS:

Part #	Model #	Width	Height	Weight
103900	UTHA 500	45-1/2"	37"	169 lbs

* The above numbers reflect the approximate weight of the attachment, and may be in excess of the lift capacity of some skid steers. Please check your owners manual for specific lift capacities.



All products are subject to change without notice or liability.

Toll Free: 1-877-947-2882
www.conterraindustries.com

Box 59, Rockyford, Alberta Canada T0J 2R0
 Ph: (403) 947-2882 Fax: (403) 947-2892

H4