



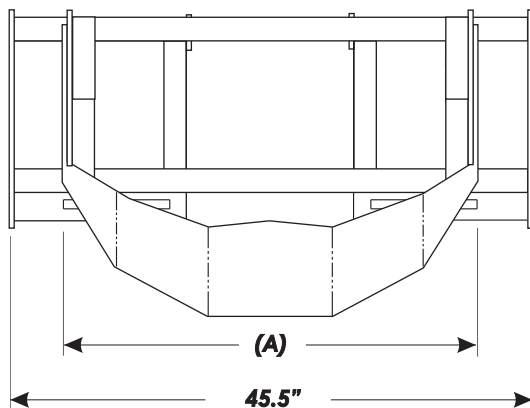
TREE SHOVEL

FEATURES:

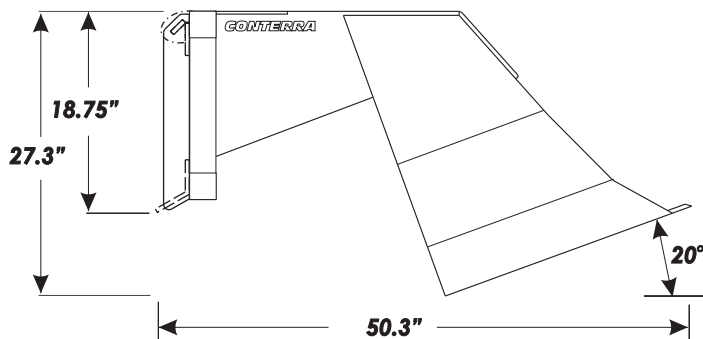
- Fits most late model skid steers
- Ideal for digging and transplanting trees & shrubs
- New open back design allows operator to engage the shovel into the ground on the leading edge of the tree then continue all the way under the rootball and up the other side, then roll back to the center of the rootball and simply lift the tree out of the hole
- Transport and plant balled and burlapped trees
- Versatile digging and trenching tool
- Digs and trenches in forward and reverse
- Loosens hard-packed soil, rocks, and stumps
- Cut out mounting plate allows for excellent visibility
- Available in 18", 24", 36" and 42" digging widths
- 48" digging depth on all models
- Shovel is constructed using 3/8" steel plate with tapered cutting edge
- Heavy duty construction
- Durable black paint finish



FRONT VIEW



SIDE VIEW



SPECIFICATIONS:

Model #	Shovel Width(A)	Weight
TSH 1800	18"	280 lbs.
TSH 2400	24"	390 lbs.
TSH 3600	36"	424 lbs.
TSH 4200	42"	434 lbs.

* The above numbers reflect the weight of the implement. Please refer to your owners manual of your skid steer for lift capacities.



This product features our Grid Lock manufacturing technique that allows for increased strength with less overall weight.



All products are subject to change without notice or liability.

Toll Free: 1-877-947-2882
www.conterraindustries.com

Box 59, Rockyford, Alberta Canada T0J 2R0
 Ph: (403) 947-2882 Fax: (403) 947-2892

F1