



SNOW BUCKET



Quad formed back wrapper make this snow bucket one of the strongest in the business

FEATURES:

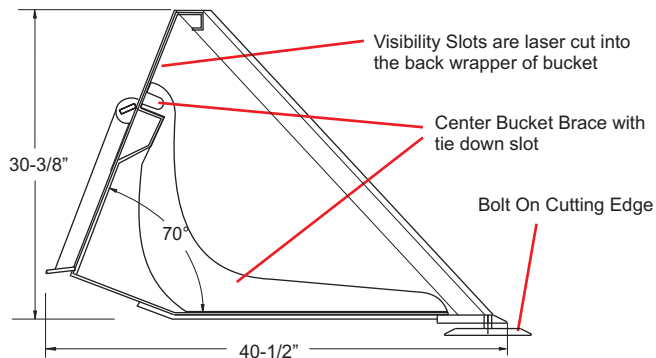
- Fits most skid steers and loaders with the universal mount
- The Conterra Snow Bucket is ideal for fast efficient snow removal
- Laser cut viewing slots in the back of the bucket gives operator excellent cutting edge visibility and reduce property damage
- Quad Formed Back Wrapper design and laser cut center bucket brace and double formed bottom dramatically increase bucket strength
- 1/4" plate back and bottom bucket wrapper
- 1/4" plate bucket sides
- 5/8" x 6" single bevel base edge
- 3/8" x 2-1/2" bucket side cutting bars
- 1/2" X 2-1/2" bucket bottom wear skids
- 5/8" x 8" double bevel bolt on cutting edge
- Durable black paint finish

SPECIFICATIONS:

Model	Blade Width	Center Braces	Struck Capacity	Weight
SB -BE 74	73-3/8"	1	30.4 ft ³	850 lbs.
SB -BE 80	80-3/16"	1	32.6 ft ³	910 lbs.
SB -BE 86	85-1/2"	1	35.2 ft ³	1010 lbs.
SB -BE 98	97-1/2"	1	37.6 ft ³	1040 bs.
SB -BE 102	103-1/2"	2	40.7 ft ³	1295 lbs.

* The above numbers reflect the capacity of the attachment, and may be in excess of the lift capacity of some skid steers and loaders. Please see your owners manual for specific lift capacities.

SIDE VIEW



5/8" x 8" Double Bevel Bolt-On Cutting Edge



GRIDLOCK
Manufacturing Technique

This product features our Grid Lock manufacturing technique that allows for increased strength with less overall weight.



All products are subject to change without notice or liability.

Toll Free: 1-877-947-2882
www.conterraindustries.com

Box 59, Rockyford, Alberta Canada T0J 2R0
Ph: (403) 947-2882 Fax: (403) 947-2892

B4