



PALLET FORK - heavy duty frame

FEATURES:

- Built for skid steer and loaders with the universal mount
- The Pallet Fork - Heavy Duty is an ideal attachment for any job that involves moving bulky bales, lumber, logs, or palletized materials
- The Pallet Fork - Heavy Duty offers superior frame strength required to work in tough working conditions and job sites
- The back mast is laser cut from 3/16" plate for great looks and excellent visibility
- The 48" tapered tines are available in 3700 lbs and 5500 lbs lift capacities rated at a 22" load center
- Adjustable tine spacing provides better load stability and are secured in place with quick latch system
- The top and bottom of the tines secured by rails
- Tines are easily moved and can be removed
- Heavy duty construction
- Laser cut components ensure superior quality
- Optional bolt on step available
- Durable paint finish



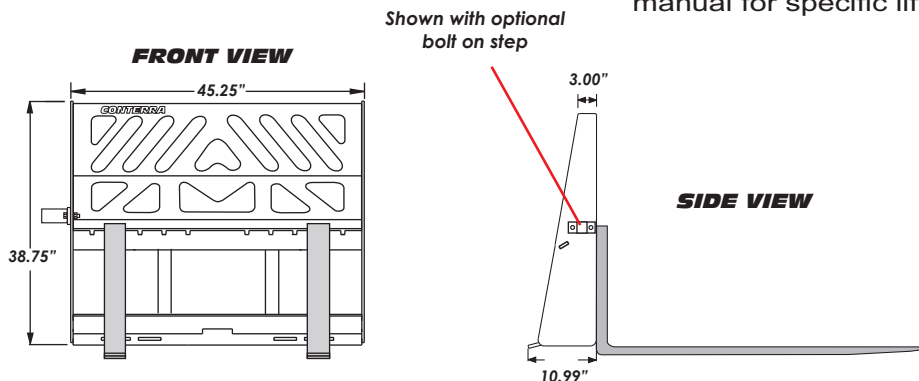
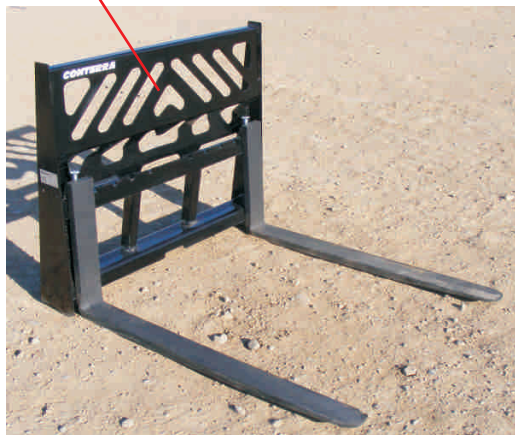
SPECIFICATIONS:

Model #	Tine Length	Approximate Weight	Capacity @ 24" load center
PF 5500-48	48"	509 lbs	5500 lbs max

* The above numbers reflect the capacity of the attachment, and may be in excess of the lift capacity of some skid steers. Please check your owners manual for specific lift capacities.

YOUR LOGO

ORDER 10 or more units and Conterra we'll laser cut your company logo into the brick back mast for FREE!!



GRIDLOCK
Manufacturing Technique

This product features our Grid Lock manufacturing technique that allows for increased strength with less overall weight.



All products are subject to change without notice or liability.

Toll Free: 1-877-947-2882
www.conterraindustries.com

Box 59, Rockyford, Alberta Canada T0J 2R0
Ph: (403) 947-2882 Fax: (403) 947-2892

D19