



BALE FORKS



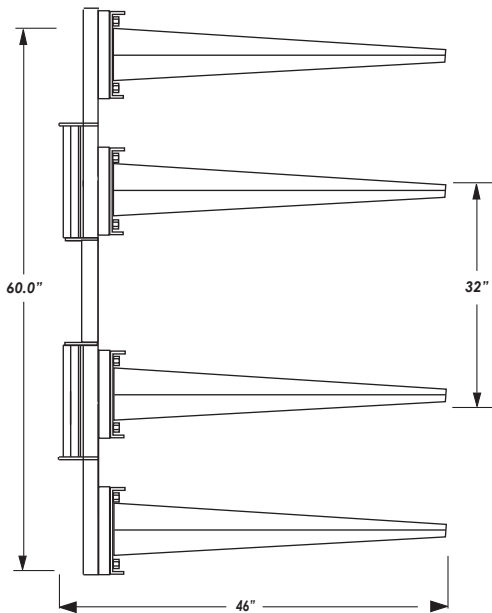
FEATURES:

- Universal mount fits all late model skid steers
- Designed for fast and efficient bale handling
- Two models to choose from one round and one square bales up to 2000 lbs
- Round bale model features one 44" long manufactured T- shaped tapered tine and 2 - 14" square tube tines
- Square Bale features four 44" long manufactured T- shaped tapered tine
- Tapered tines reduces drag and allows for better bale penetration and easy release
- Heavy duty construction and a durable black paint finish

SPECIFICATIONS:

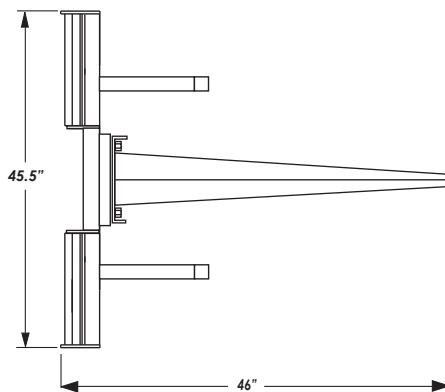
Model #	Bale Type	# of Tines	Frame Width	Frame Height	Frame Weight	Max Lift Capacity
RBF 2000	Round	3	46"	16"	200 lbs	2000 lbs
SBF 2000	Square	4	60"	30"	260 lbs	2000 lbs

Square Bale Fork TOP VIEW



* The above numbers reflect the capacity of the implement. Please refer to your owners manual for skid steer lift capacities

Round Bale Fork TOP VIEW



All products are subject to change without notice or liability.

Toll Free: 1-877-947-2882
www.conterraindustries.com

Box 59, Rockyford, Alberta Canada T0J 2R0
 Ph: (403) 947-2882 Fax: (403) 947-2892

D21