



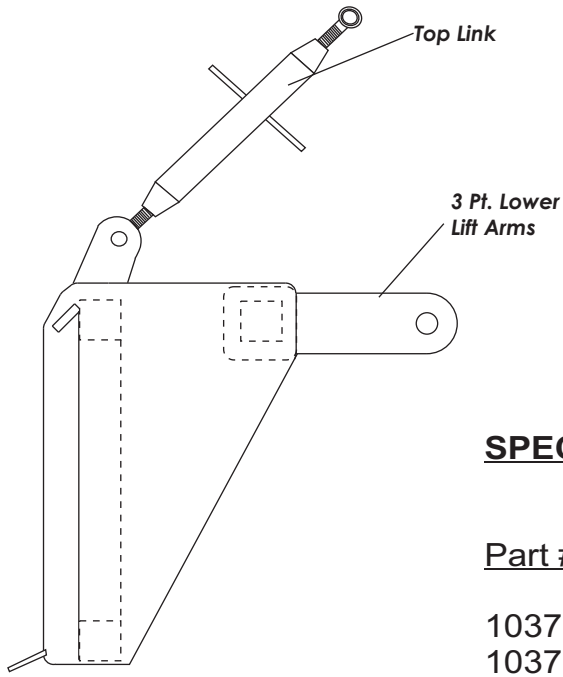
3 POINT ADAPTER

FEATURES:

- Enables your skid steer to pick up an array of Category 2, three point tractor attachments
- Adjustable sliding arms allow for fast and easy hook up
- Comes complete with adjustable top link
- Low plate position allows for excellent visibility and easy cab access
- Laser cut components to ensure excellent fit and finish
- Heavy duty construction
- Durable black paint finish



SIDE VIEW



GRID LOCK
Manufacturing Technique

This product features our Grid Lock manufacturing technique that allows for increased strength with less overall weight.

SPECIFICATIONS:

Part #	Model #	Three Point Category	Width	Height	Weight
103700	3PTA1	1	45 1/2"	19 1/2"	175lbs
103701	3PTA2	2	45 1/2"	19 1/2"	175lbs

* The above numbers reflect the approximate weight of the attachment, and may be in excess of the lift capacity of some skid steers. Please check your owners manual for specific lift capacities.



All products are subject to change without notice or liability.

Toll Free: 1-877-947-2882
www.conterraindustries.com

Box 59, Rockyford, Alberta Canada T0J 2R0
Ph: (403) 947-2882 Fax: (403) 947-2892

H2